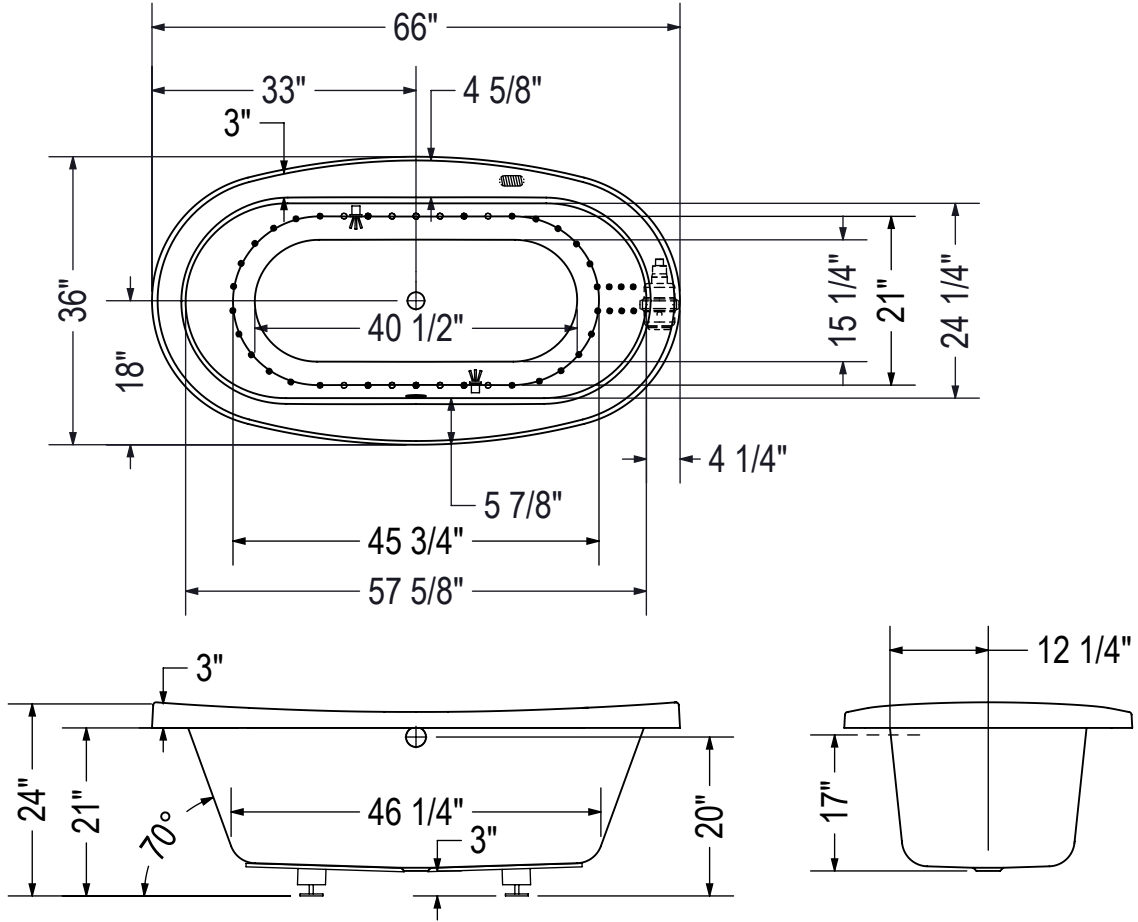


AIR SYSTEM



( ● ) : Indicates airjets positioning

( ☼ ) : Indicates chromatherapy light positioning

All dimensions are approximate. Structure measurements must be verified against the unit to ensure proper fit.