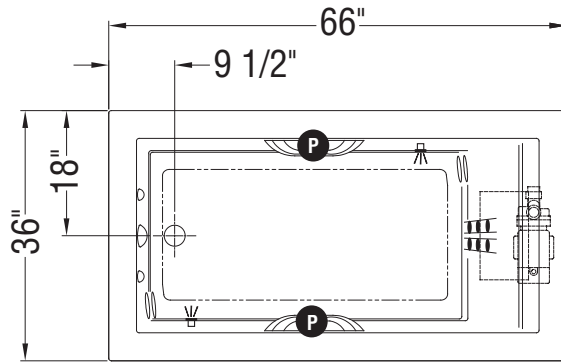
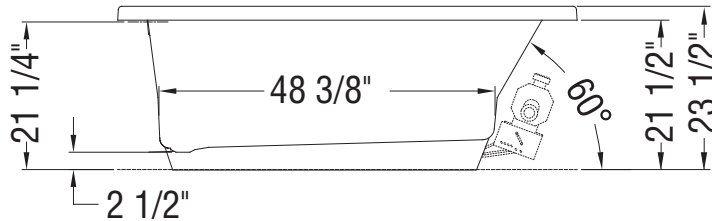
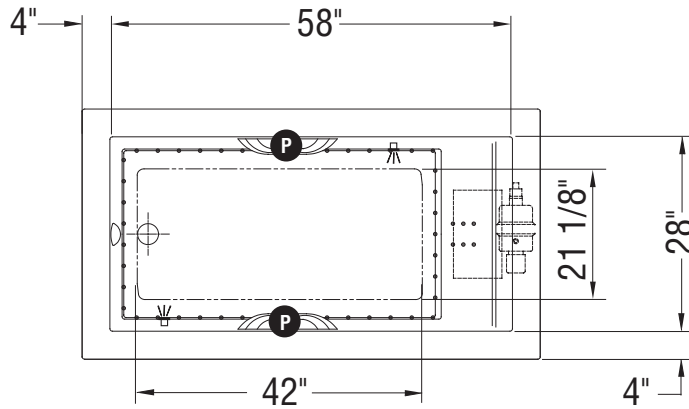


WHIRLPOOL SYSTEM



AIR SYSTEM



- (P) : Indicates optional grab bar positioning
- (O) : Indicates air control positioning
- (O) : Indicates overflow positioning
- (O) : Indicates whirlpool jets positioning
- (•) : Indicates airjets positioning
- (●) : Indicates backjets positioning
- (☛) : Indicates chromatherapy light positioning

All dimensions are approximate. Structure measurements must be verified against the unit to ensure proper fit.