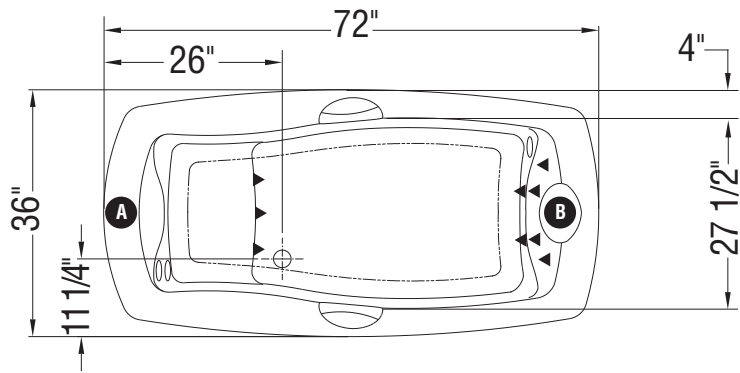
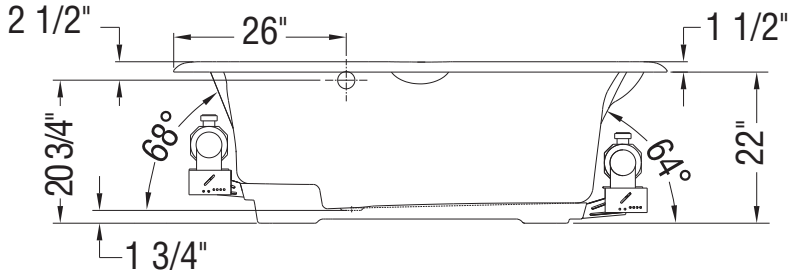
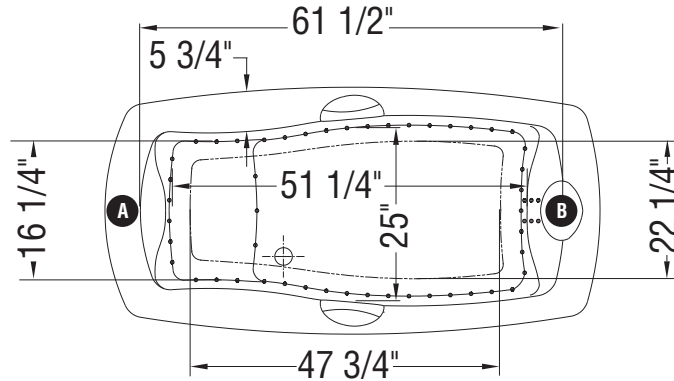


WHIRLPOOL SYSTEM



AIR SYSTEM



Note: A or B pump location could exceed by one in. on combo.

Note: For deck-mount faucet installation, install faucets on same side as the overflow.

A
B : Specify blower and/or pump location when ordering

(○) : Indicates whirlpool jets positioning

(•) : Indicates airjets positioning

(▲) : Indicates backjets and foot jets positioning

Bathtub base includes anti-vibration Neutra-Phone leg supports (not shown).

All dimensions are approximate. Structure measurements must be verified against the unit to ensure proper fit.