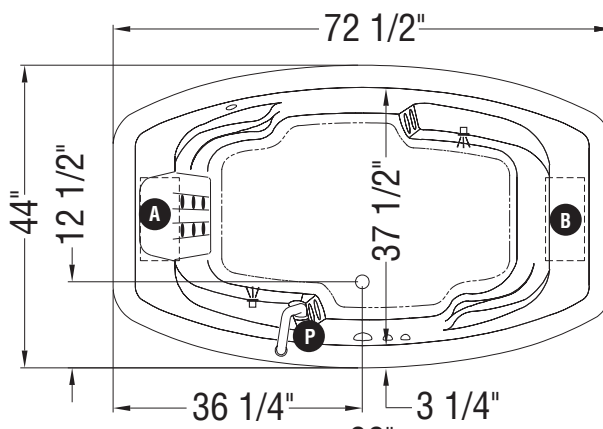
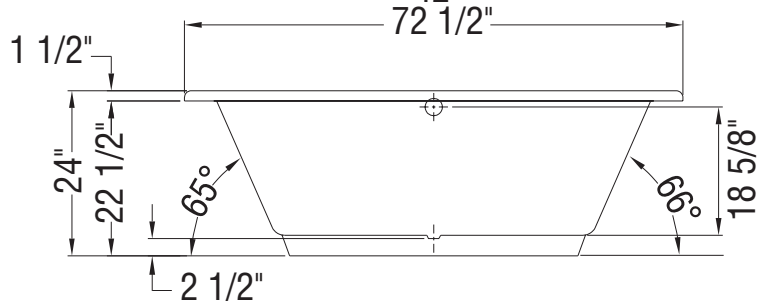
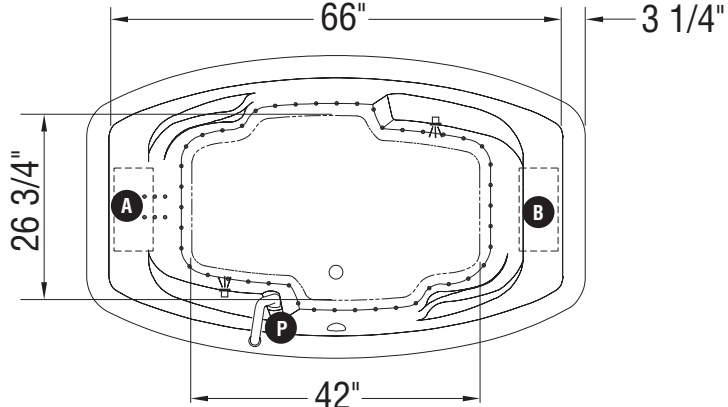


WHIRLPOOL SYSTEM



AIR SYSTEM



**Note: Air backjets on same side as blower**

- ( P ) : Indicates optional hand rail positioning
- ( ○ ) : Indicates air control positioning
- ( ◯ ) : Indicates overflow positioning
- ( ◌ ) : Indicates whirlpool jets positioning
- ( • ) : Indicates airjets positioning
- ( ● ) : Indicates backjets positioning
- ( ☼ ) : Indicates chromatherapy light positioning

( A ) : Specify blower and/or pump location when ordering  
 ( B )

Bathtub base includes anti-vibration Neutra-Phone leg supports (not shown).

**All dimensions are approximate. Structure measurements must be verified against the unit to ensure proper fit.**