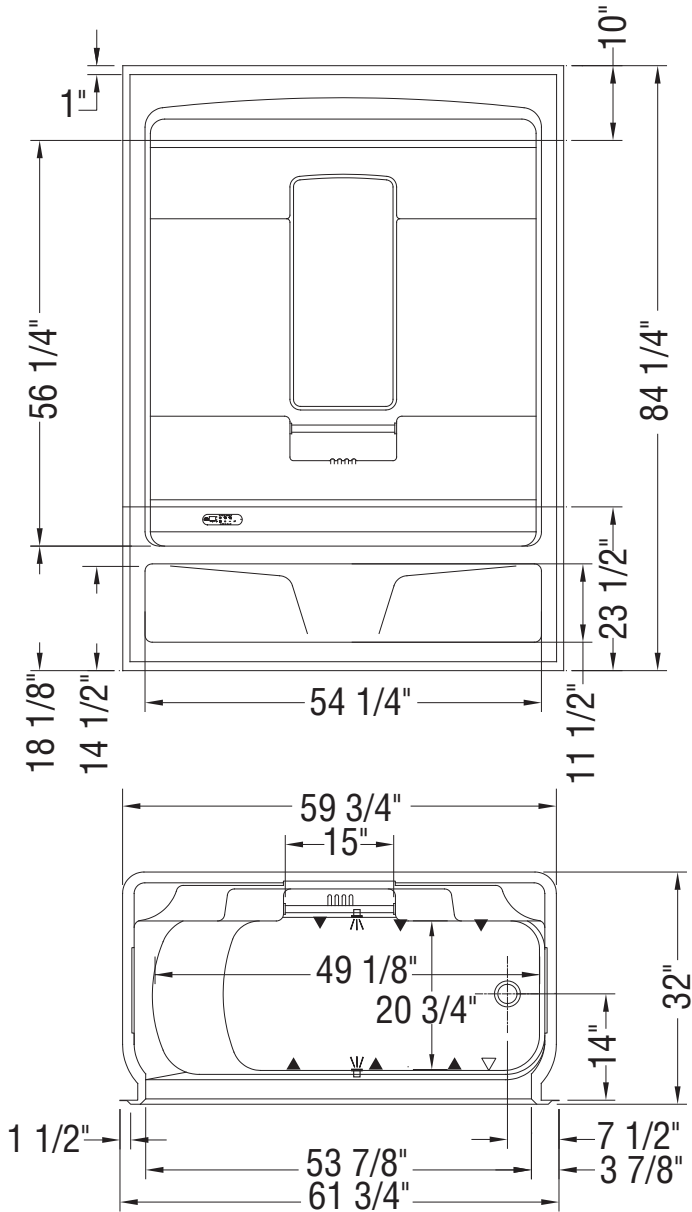
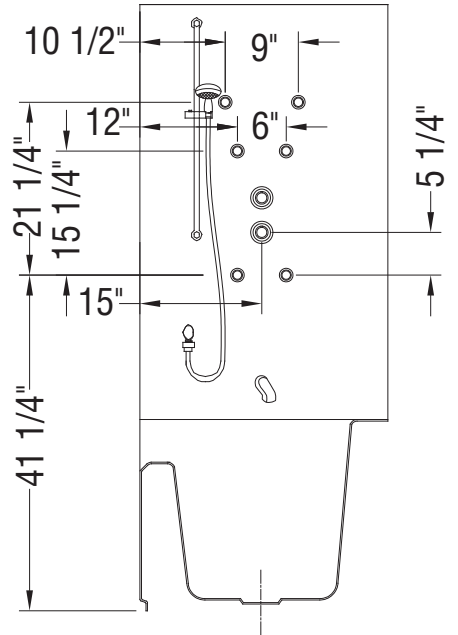


WHIRLPOOL SYSTEM



MAAX IES 1/2 positioning



(▲): Indicates whirlpool jets positioning

(△): Indicates backjets positioning

(♪): Indicates chromatherapy light positioning

Bathtub base includes anti-vibration Neutra-Phone leg supports (not shown).

All dimensions are approximate. Structure measurements

must be verified against the unit to ensure proper fit.