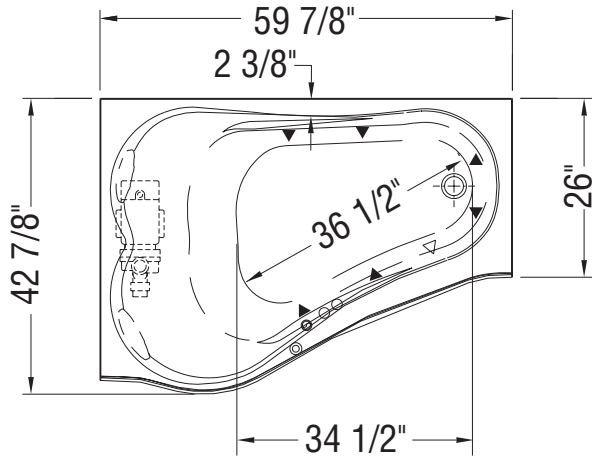
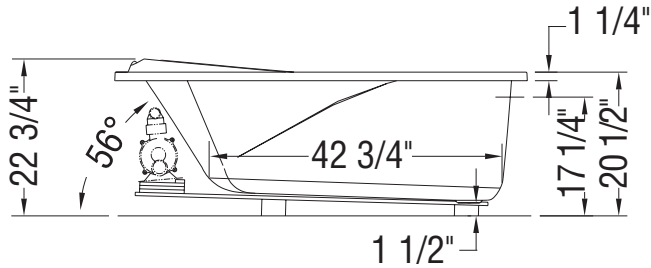
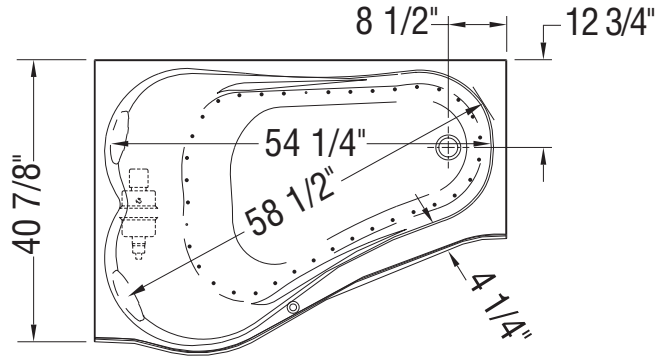


WHIRLPOOL SYSTEM



AIR SYSTEM



- ( ▲ ): Indicates Whirlpool jets positioning
- ( ● ): Indicates airjets positioning
- ( △ ): Indicates suction positioning

**All dimensions are approximate. Structure measurements must be verified against the unit to ensure proper fit.**