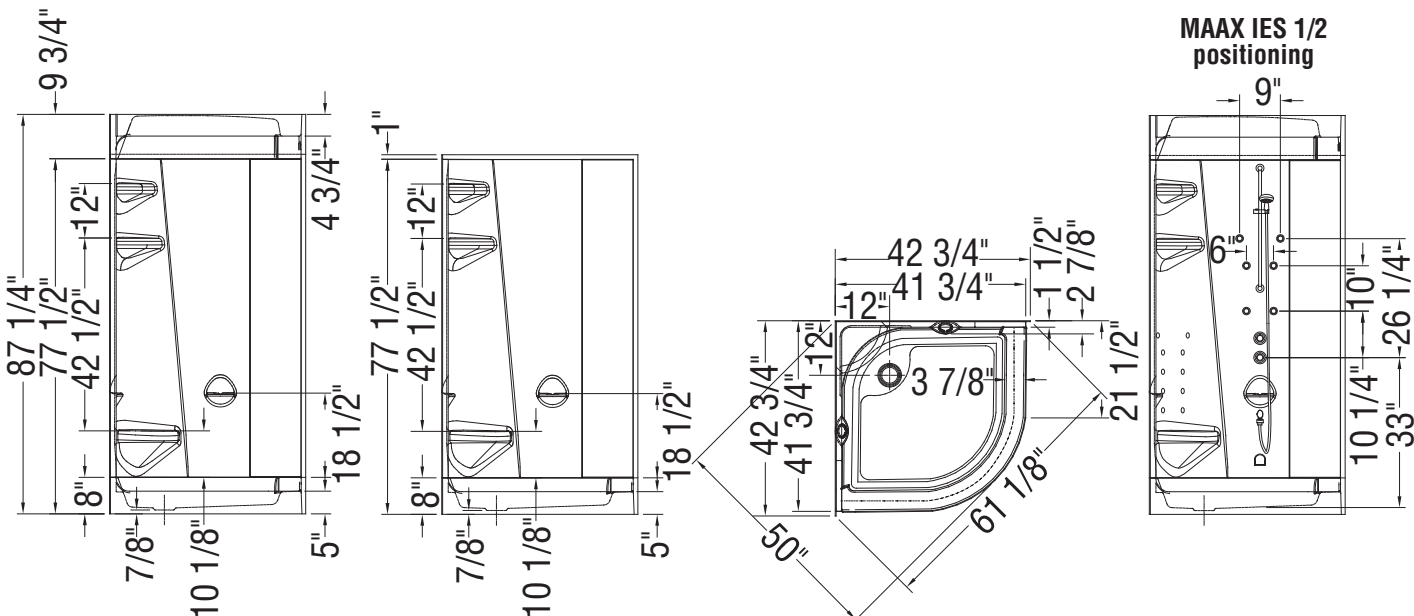


With footrest

MAAX IES 1/2 positioning



With seat

MAAX IES 1/2 positioning

All dimensions are approximate. Structure measurements must be verified against the unit to ensure proper fit.