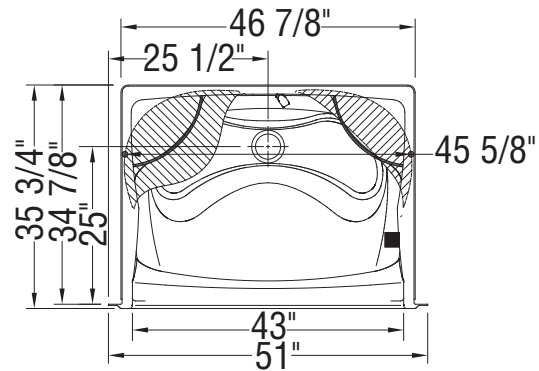
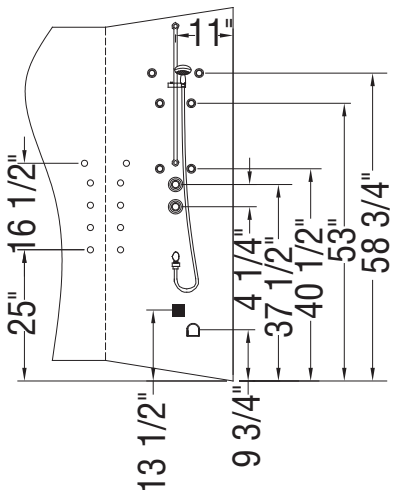


Left foot rest / Right seat

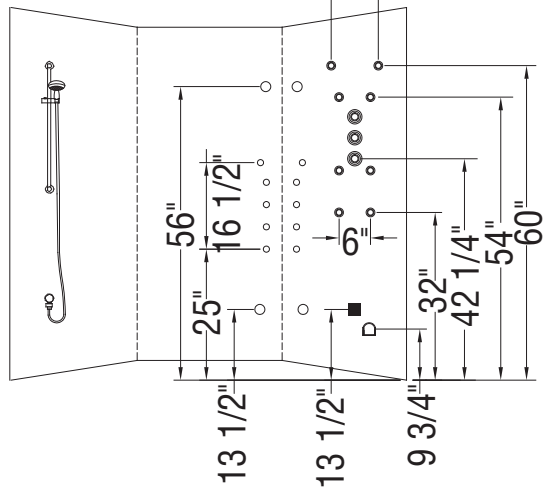


Left seat / Right foot rest

MAAX IES 1/2 positioning



MAAX IES 3/4 positioning



( ■ ): Indicates Steamax nozzle positioning

Plane surface for the installation of the valve 8-in. diameter

All dimensions are approximate. Structure measurements must be verified against the unit to ensure proper fit.