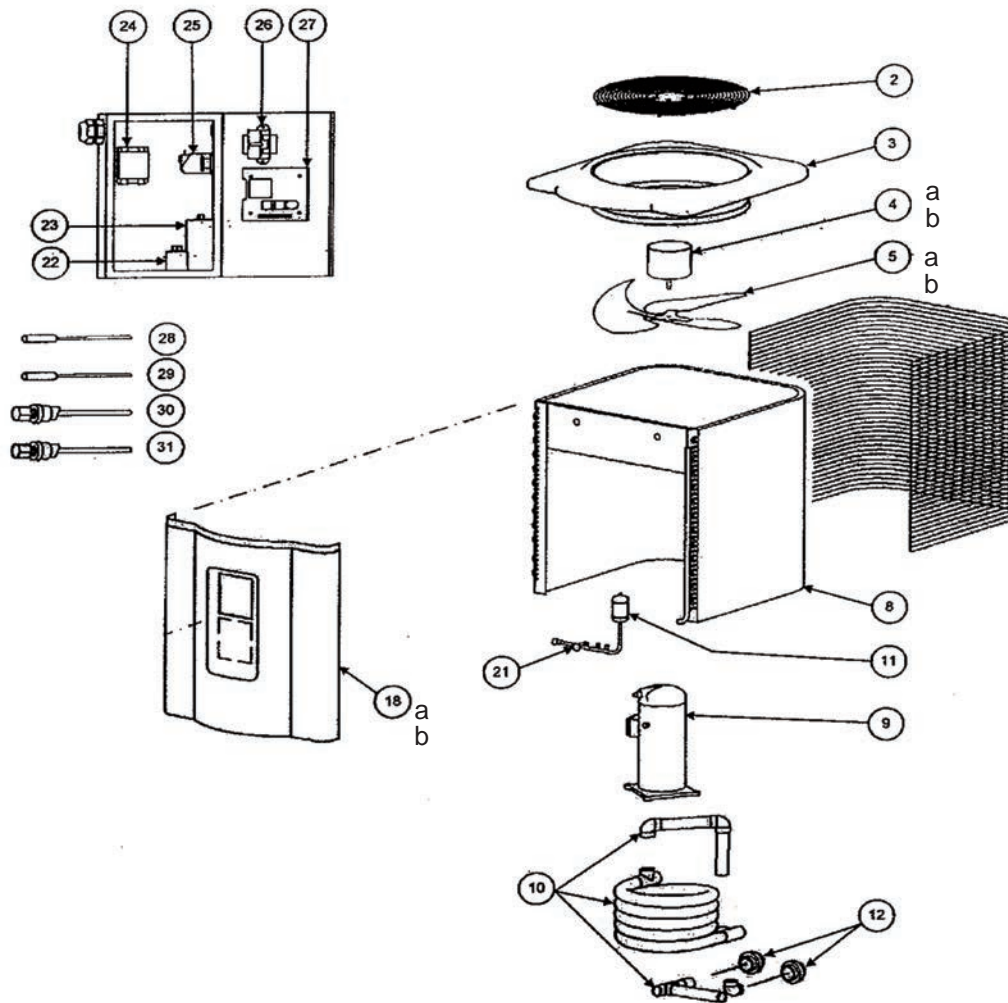




Summit, HeatMaster & EasyTemp

HEAT PUMP REPLACEMENT PARTS



Parts Listing: SUM25T, SUM3T, SUM4T, SUM5T, SUM7T

Ref. No.	Part No.	Description
2	SMX305000004	Motor Support Grid
3a	SMX309077011	Top Panel - Tan
3b	SMX309077021	Top Panel - Black
4a	SMX303088001	Fan Motor (2.5T, 3T, 4T)
4b	SMX300055036	Fan Motor (5T, 7T)
5a	SMX303140002	Fan Blade (2.5T, 3T, 4T)
5b	SMX303140003	Fan Blade (5T, 7T)
8	SMX305099004	Coil
9	SMX301140003	Compressor
11	SMX300055034	Filter - Dryer
12	SMX300055073	Coupling
18a	SMX309077013	Front Panel (2.5T)
18b	SMX309099013	Front Panel (3T, 4T, 5T)
18c	SMX309099015	Front Panel (7T)
21a	SMX305077002	Expansion Valve (2.5T)
21b	SMX305040001	Expansion Valve (3T)
21c	SMX305050001	Expansion Valve (4T)
21d	SMX305055001	Expansion Valve (5T)
21e	SMX305099006	Expansion Valve (7T)
22	SMX306088001	Fan Run Capacitor
23	SMX306055004	Compressor Run Capacitor
26	SMX306000004	Transformer
27	SMX306000016	Electronic Board
28	SMX306000023	Air Temperature Probe
29	SMX306000024	Water Temperature Probe
30	SMX306000001	Low Pressure Switch
31	SMX306000002	High Pressure Switch

Heating

Summit, HeatMaster, EasyTemp

HEAT PUMP REPLACEMENT PARTS



Parts Listing: SUM25TA, SUM3TA, SUM4TA, SUM5TA, SUM8TA, HCB50TA, HCB65TA, HCB80TA, HCB110TA, HCB125TA, HML50TA, HML65TA, HML80TA, HML110TA, HML125TA

Ref. No.	Part No.	Description
4a	SMX303088001	Fan Motor (2.5TA, 3TA, 4TA, HCB50TA, HCB65TA, HCB80TA, HML50TA, HML65TA, HML80TA)
4b	SMX300055036	Fan Motor (5TA, 8TA, HCB110TA, HCB125TA, HML110TA, HML125TA)
9	SMX11024624	Compressor (2.5TA, HCB50TA, HML50TA)
9	SMX11024622	Compressor (3TA, HCB65TA, HML65TA)
9	SMX11024621	Compressor (4TA)
9	SMX11024203	Compressor (5TA)
9	SMX11024201	Compressor (8TA)
9	SMX30114004	Compressor (HCB80TA, HCB125TA, HML80TA, HML125TA)
9	SMX301150010	Compressor (HCB110TA, HML110TA)
10	SMX24024500	Condenser (2.5TA, HCB50TA, HML50TA)
10	SMX24024804	Condenser (3TA, HCB65TA, HML65TA)
10	SMX24024808	Condenser (4TA)
10	SMX24024809	Condenser (5TA)
10	SMX2402510	Condenser (8TA)
10	SMX202160001	Condenser (HCB80TA, HCB110TA, HML80TA, HML110TA)
10	SMX202170001	Condenser (HCB125TA, HML125TA)
11	HPX1482	Filter Dryer
12	SPX3200UNKIT	Coupling
21	SMX15024592	TXV Assembly (2.5TA, HCB50TA, HML50TA)
21	SMX15024593	TXV Assembly (3TA, HCB65TA, HML65TA)
21	SMX15024594	TXV Assembly (4TA, HCB80TA, HML80TA)
21	SMX15024595	TXV Assembly (5TA, HCB110TA, HML110TA)
21	SMX15024907	TXV Assembly (8TA)
21	SMX15024598	TXV Assembly (HCB125TA, HML125TA)
22	SMX305088001	Fan Run Capacitor (2.5TA, 3TA, 4TA, HCB50TA, HCB65TA, HCB80TA, HML50TA, HML65TA, HML80TA)
22	SMX306050001	Fan Run Capacitor (5TA, 8TA, HCB110TA, HCB125TA, HML110TA, HML125TA)
23	SMX11024550	Compressor Capacitor (2.5TA, HCB50TA, HML50TA)
23	SMX11024742	Compressor Capacitor (3TA, HCB65TA, HML65TA)
23	HPX11024272	Compressor Capacitor (4TA, HCB80TA, HML80TA)
23	HPX11024743	Compressor Capacitor (5TA, 8TA, HCB110TA, HCB125TA, HML110TA, HML125TA)
24	HPX1985	Contacto
25	HPX2181	Water Pressure Switch
26	HPX11023693	Transformer
27	SMX306000016	Control Board Assembly
28	SMX306000023	Defrost (Coil) Sensor
29	SMX306000024	Water Sensor
30	HPX11024259	LP Switch
31	HPX11024258	HP Switch
-	SMX306066002	Compressor Elect. Plug(NS)

Heating