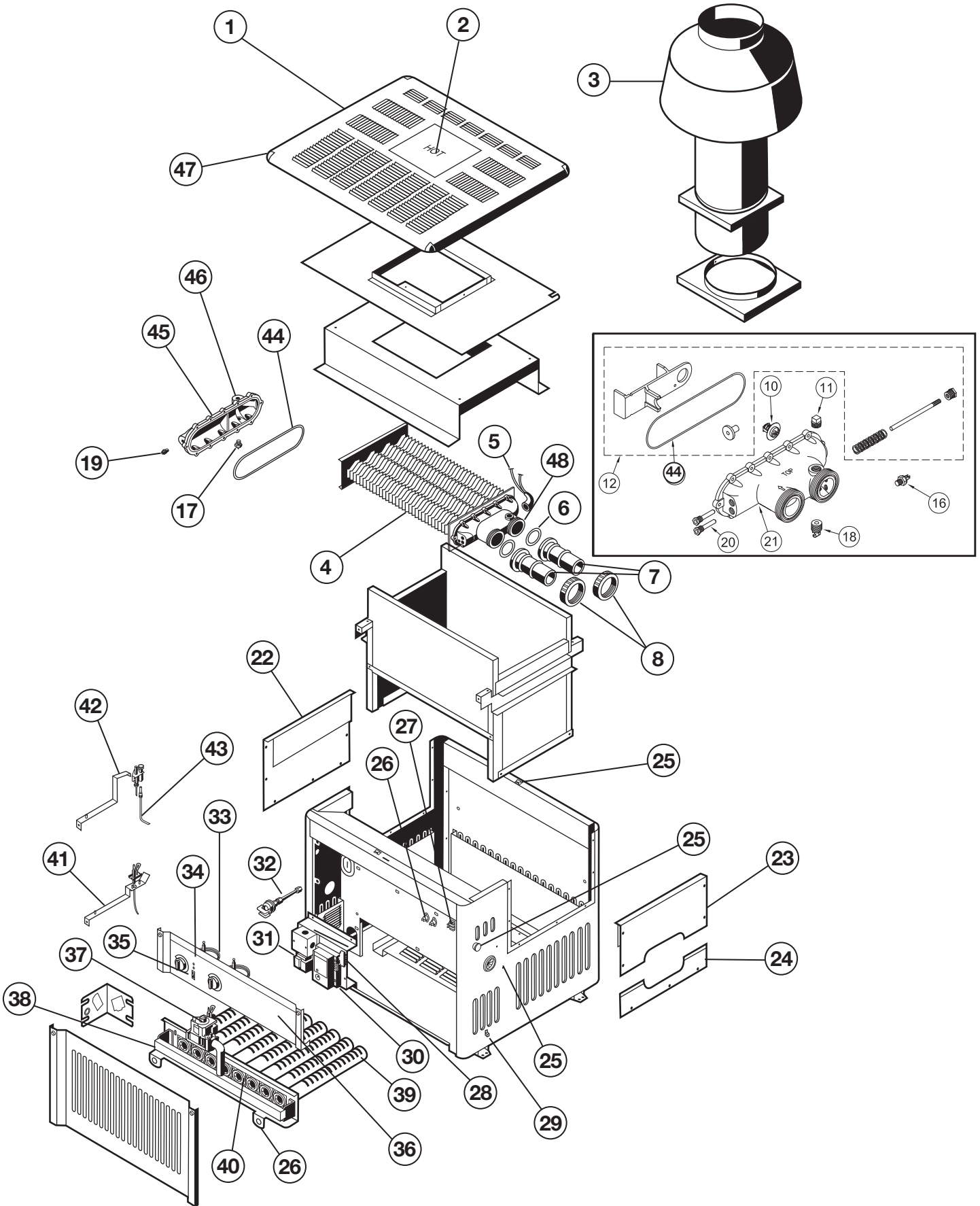




# H-Series – Millivolt/Electronic (ED1 Style)

HEATER REPLACEMENT PARTS

## Parts Diagram



# H-Series – Millivolt/Electronic (ED1 Style)

HEATER REPLACEMENT PARTS



## Parts Listing

Ref. No.	Part Number	Description	Ref. No.	Part Number	Description	Ref. No.	Part Number	Description
1	HAXJKT1150	Jacket Top Assembly – 150	10	HAXFCT1930	Flow Control Thermostat	36	HAXCPA2301▲	Control Panel Assembly – 300 DS
1	HAXJKT1200	Jacket Top Assembly – 200	11	CHXPLG1930	3/4" NPT Brass Plug	36	HAXCPA2351▲	Control Panel Assembly – 350 DS
1	HAXJKT1250	Jacket Top Assembly – 250	12	HAXBPK1931†††	By-Pass Valve Kit	36	HAXCPA2401▲	Control Panel Assembly – 400 DS
1	HAXJKT1300	Jacket Top Assembly – 300		HAXBPK1932††	By-Pass Valve Kit	37	HAXGSV0001	Gas Valve, MV Natural Gas
1	HAXJKT1350	Jacket Top Assembly – 350	16	HAXHLI1930	Hi-Limit 135° F	37	HAXGSV0003	Gas Valve, MV Propane
1	HAXJKT1400	Jacket Top Assembly – 400	17	HMXHLI2932	Hi-Limit 160° F	37	HAXGSV0004	Gas Valve, DS Propane
1	HAXJKT1251*	Jacket Top Assembly – 250	18	HAXDRV1930	Drain Valve Assembly	37	HAXGSV0005	Gas Valve, DS Natural Gas
1	HAXJKT1301**	Jacket Top Assembly – 300	19	CHXPSA1930	Pressure Switch Adapter	38	HAXMAN1150	Gas Manifold – 150
1	HAXJKT1351***	Jacket Top Assembly – 350	20	CHXTBW1930	Bulb Well	38	HAXMAN1200	Gas Manifold – 200
1	HAXJKT1401†	Jacket Top Assembly – 400		HAXTBW1930▲▲	Bulb Well, Cotherm	38	HAXMAN1250	Gas Manifold – 250
2	HAXDHO1930	DHO Insert	21	HAXFHD1930	Front Header Only	38	HAXMAN1300	Gas Manifold – 300
3	DHI150	Indoor Drafthood – 150		HAXFHD1931††	Front Header Only	38	HAXMAN1350	Gas Manifold – 350
3	DHI200	Indoor Drafthood – 200	22	HAXLAC1930	Left Access Cover	38	HAXMAN1400	Gas Manifold – 400
3	DHI250	Indoor Drafthood – 250	23	HAXURA1930	Upper Right Access Cover	39	HAXBRN1930	Burner Tube
3	DHI300	Indoor Drafthood – 300	24	HAXLRA1931	Lower Right Access Cover	40	HAXBON1930	Burner Orifice, Natural Gas
3	DHI350	Indoor Drafthood – 350	25	HAXPHK1930	Plastic Hardware Kit	40	HAXBON1931	Burner Orifice, Natural Gas HA
3	DHI400	Indoor Drafthood – 400	26	HAXTLK1930	Temperature Limiters Kit	40	HAXBOP1930	Burner Orifice, Propane
3	HWS150	High Wind Stack – 150	27	HAXTBK1931	2-Pole Terminal Block	40	HAXBOP1931	Burner Orifice, Propane HA
3	HWS200	High Wind Stack – 200	28	HAXTBK1933	4-Pole Terminal Block	41	HAXIGN1931	Ignitor Assembly
3	HWS250	High Wind Stack – 250	29	CHXGRL1930	TA-2 Ground Lug	42	HAXPLT1931	Pilot – Natural Gas
3	HWS300	High Wind Stack – 300	30	HAXMOD1930	Control Module	42	HAXPLT1932	Pilot – Propane
3	HWS350	High Wind Stack – 350	31	CHXTRF1930	Transformer	43	HAXTRK1930	Pilot Tube Replacement Kit
3	HWS400	High Wind Stack – 400	32	HAXPSA1930	Pressure Switch Assembly	44	HAXHOR1930	Header O-Ring
4	HAXHXA1153	Heat Exchanger Assembly – 150	33	HAXTST1930	Thermostat	45	HAXRHD1930†††	Rear Header Only
4	HAXHXA1203	Heat Exchanger Assembly – 200	34	HAXLDK1930	LED Kit	46	HAXPLG1930	1/4" NPT Brass Plug
4	HAXHXA1253	Heat Exchanger Assembly – 250	35	CHXTSW1930	System Switch Single	47	HAXCIA1930	Corner Piece Kit (4)
4	HAXHXA1303	Heat Exchanger Assembly – 300	35	CHXTSW1931	System Switch Dual	48	HAXFHA1930†††	Front Header Assembly
4	HAXHXA1353	Heat Exchanger Assembly – 350	36	HAXCPA2150▲	Control Panel Assembly – 150 MV		HAXFHA1931	Front Header Assembly
4	HAXHXA1403	Heat Exchanger Assembly – 400	36	HAXCPA2200▲	Control Panel Assembly – 200 MV	—	HAXWHA0005	Wire Harness, Main DS (not shown)
5	HAXWHA0002	Rear Wire Harness, MV	36	HAXCPA2250▲	Control Panel Assembly – 250 MV	—	HAXWHA0004	Wire Harness, Control Panel (not shown)
	HAXWHA0006††	Rear Wire Harness, MV	36	HAXCPA2300▲	Control Panel Assembly – 300 MV			
5	HAXWHA0003	Rear Wire Harness, DS	36	HAXCPA2350▲	Control Panel Assembly – 350 MV	—	HAXWHA0001	Wire Harness, Main MV (not shown)
	HAXWHA0007††	Rear Wire Harness, DS	36	HAXCPA2400▲	Control Panel Assembly – 400 MV	—	HAXRFK1930	Retro Fit Kit (not shown)
6	HAXFOR1930	O-Rings	36	HAXCPA2151▲	Control Panel Assembly – 150 DS	—	HAXWFN1930	Header Mounting Nut Kit (Pack of 12)
7	HAXNIP1930	Flange Pipe Nipples	36	HAXCPA2201▲	Control Panel Assembly – 200 DS	—	CHXMS11930	Manual Piezo Spark Ignitier
8	HAXNUT1930	Union Nuts	36	HAXCPA2251▲	Control Panel Assembly – 250 DS	—	CHXGEN1930	Millivolt Pilot Generator

**NOTES:** \*Used, Started at Serial No. 00421078

\*\*Used, Started at Serial No. 0032018

\*\*\*Used, Started at Serial No. 00424651

†Used, Started at Serial No. 00424851

††Used on heaters made after 10/28/00

†††Used on heaters made before 10/28/00

▲Used on heaters made after 5/8/98

▲▲Used on heaters made after 6/1/01